

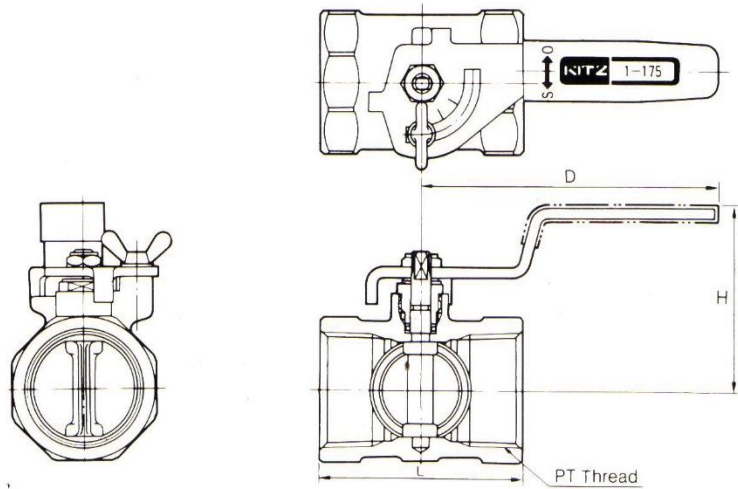
# MINI-BUTTERFLY VALVES



*Butterfly valve design advantages available  
in the smallest valve sizes: 1/2 " to 2 "*

## Features:

- Full port design with excellent flow characteristics:  
Ideal for fire-fighting, air conditioning and water, gas or vacuum handling service.
- No fluid residue:  
Suitable for food, beverage, pharmaceutical and chemical processing applications.
- Functional stability in half open position:  
Versatile applications for either flow control or shut-off service.
- Choice of material:  
Forged brass or stainless steel.
- Adjustable opening degree:  
by means of the adjusting nut provided on the lever.



### ■ Specifications

Max. Working Pressure: 12.3kgf/cm<sup>2</sup>  
 Working Temperature: -10°C~+60°C  
 End connection: JIS PT threads

### ■ Dimensions

Nominal Size	1/2	3/4	1	1 1/4	1 1/2	2	
L	Fig. FV	47	51	58	67	73	82
	Fig. UV	43	47	56	63	69	77
H		45	47	50	60	64	70
D		85	85	85	110	110	110

### ■ JIS Material Designation

Part Name	Fig.	FV		UV	
Body		Forged brass	C3771BE	Stainless steel	SCS13
Stem		Stainless steel	SUS304	Stainless steel	SUS304
Disc		Stainless steel	SUS304+NBR	Stainless steel	SUS304+NBR
O-Ring		Rubber	NBR	Rubber	NBR
Handle		Stainless steel	SUS430	Stainless steel	SUS430

■ Material and construction details are subject to change without notice.

# KITZ<sup>®</sup>

## KITZ CORPORATION

3-17-9, Minami-Aoyama, Minato-ku, Tokyo 107, Japan  
 Phone: 03-404-1881 Telex: 2422365 Fax: 03-470-0438