

KITZ D Type 10K Cast Iron Dampers

Metal-to-metal contact between the disc and seats completely shut off the line fluid. Suitable for high temperature service.

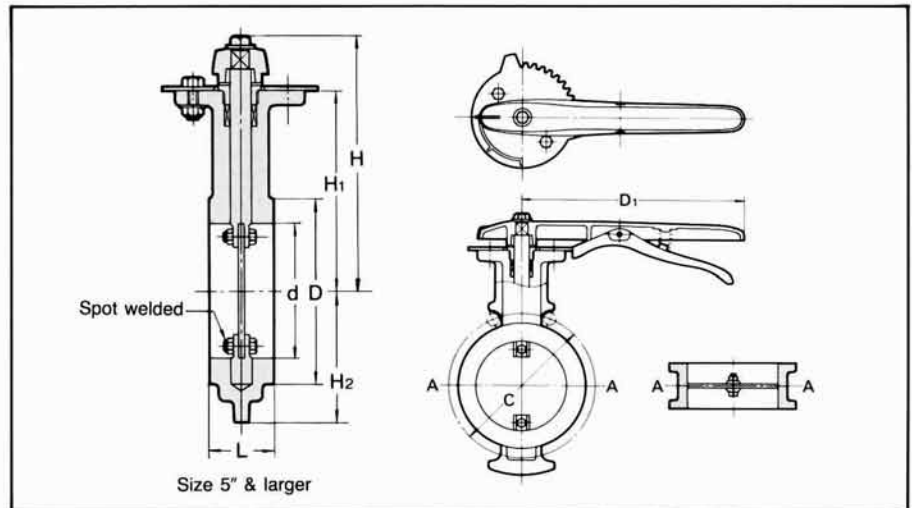
Technical specifications

Max. service pressure	0.49MPa (5 kgf/cm ²)
Service temperature	0°C to +230°C
Maximum allowable leakage	3% of nominal Cv values
Coupling flanges	JIS 5K/10K
Test pressure shell test	1.96MPa (20 kgf/cm ²) [hydrostatic]

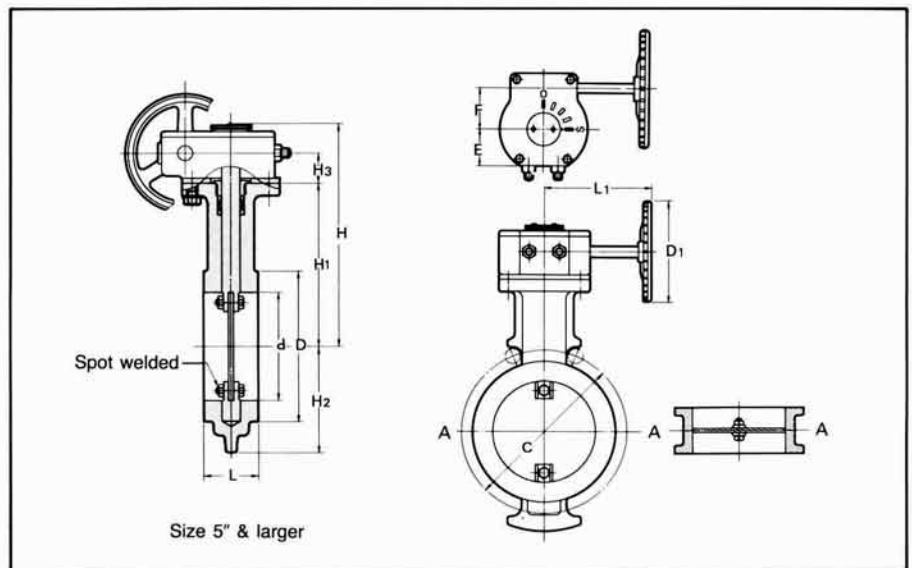
Materials

Parts	JIS Material
Body	FC250+HCr
Stem	SUS403
Disc	SUS430
Gland	C3604BE
Gland packing	PTFE+ asbestos
Handle	FCD450
Handle nut	SS400
Disc nut	SUS304
Disc bolt	SUS304
Index plate	SPCC
Set bolt	SS400
Bottom stem	SUS403

10D : Damper, Lever Operated



G-10D : Damper, Gear Operated

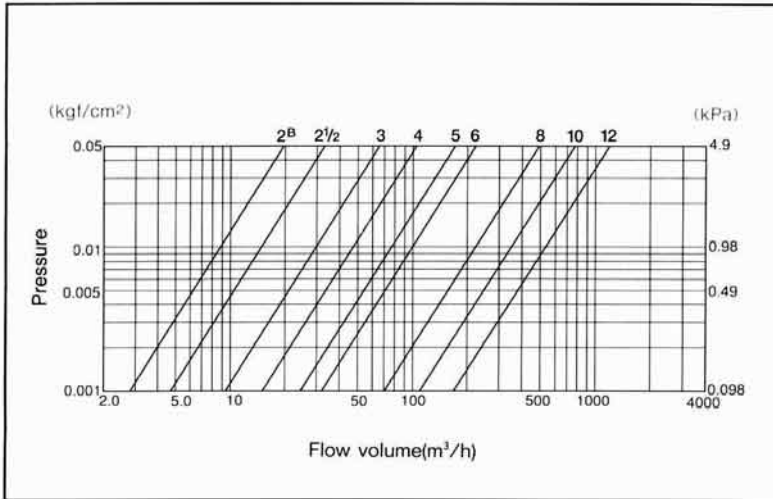


PROVIDED BY: PT. SINAR MAS SAKTI

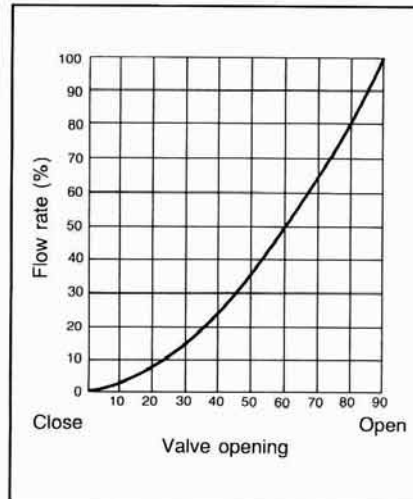
TEL: (62 21) 6008088 FAX: (62 21) 6293410 EMAIL: sales@smsakti.com

D Type Iron Dampers

Flow characteristics



Flow rate



Flow coefficient (Cv)

Size		Cv
mm	inch	
50	2	104
65	2½	174
80	3	348
100	4	557
125	5	905
150	6	1183
200	8	2575
250	10	4037
300	12	6264

Dimensions (10D)

Size		d	H	H ₁	H ₂	L	D	C		D ₁
mm	inch							5K	10K	
50	2	50	196	145	57	40	90	105	120	200
65	2½	65	203	153	75	45	115	130	140	200
80	3	80	210	160	82	50	126	145	150	230
100	4	100	220	170	98	60	146	165	175	230
125	5	130	253	196	117	65	181	200	—	280
150	6	150	263	206	145	70	211	230	—	280

Dimensions (G-10D)

Size		d	H	H ₁	H ₂	H ₃	L	D	C		D ₁	L ₁	E	F	Gear type
mm	inch								5K	10K					
50	2	50	205	145	57	31	40	90	105	120	110	103	35	42.5	No.1
65	2½	65	213	153	75		45	115	130	140					
80	3	80	220	160	82		50	126	145	150					
100	4	100	230	170	98		60	146	165	175					
125	5	130	260	196	117	34	65	181	200	210	170	156	42	60	No.2
150	6	150	270	206	145		70	211	230	240					
200	8	200	295	231	170		80	257	280	290					
250	10	250	390	297	205	53	90	322	345	355	310	163	54	66.5	No.3
300	12	300	415	322	230		100	367	390	400					

PROVIDED BY: PT. SINAR MAS SAKTI

TEL: (62 21) 6008088 FAX: (62 21) 6293410 EMAIL: sales@smsakti.com